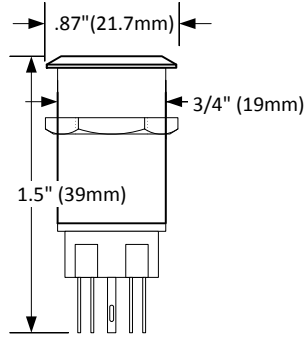
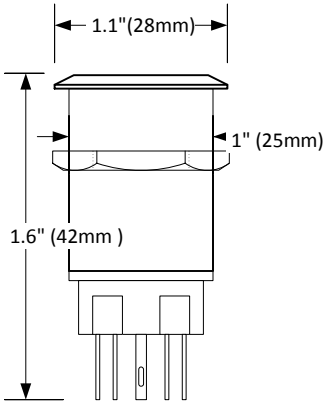


Custom Stainless Steel Dual Color Push Start Button Information



Ready to Start



Ready to Start

Switches Flash Green when Ready to Start And Red in Armed Mode

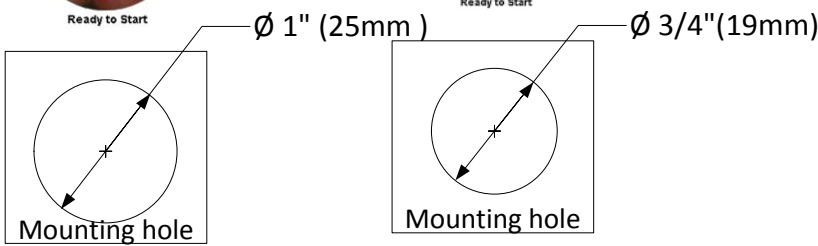


Ready to Start



Ready to Start

All Switches are prewired 36" long Ready to plug into a GTS-3 or GTS-3RS Control Module **Not compatible with GTS-1 or GTS-2**



1" Switch Dual Color

3/4" Switch Dual Color



Optional "ACC" & "IGN" LED Indicator Connections

